



PARTITION SYSTEM

- ✓ Modern architectural design
- ✓ High quality hardware
- ✓ Fashionable finishes
- ✓ Queensland owned & manufactured
- ✓ Prompt quotes and fabrication times
- ✓ Installation service available



Ready to Build Kits

Predrilled for locks, hinges & legs

Aluminium cut to size

Stainless fixings provided

Delivery Australia wide

13mm Compact Laminate

for showers & toilets

18mm Moisture Resistant Melamine Board

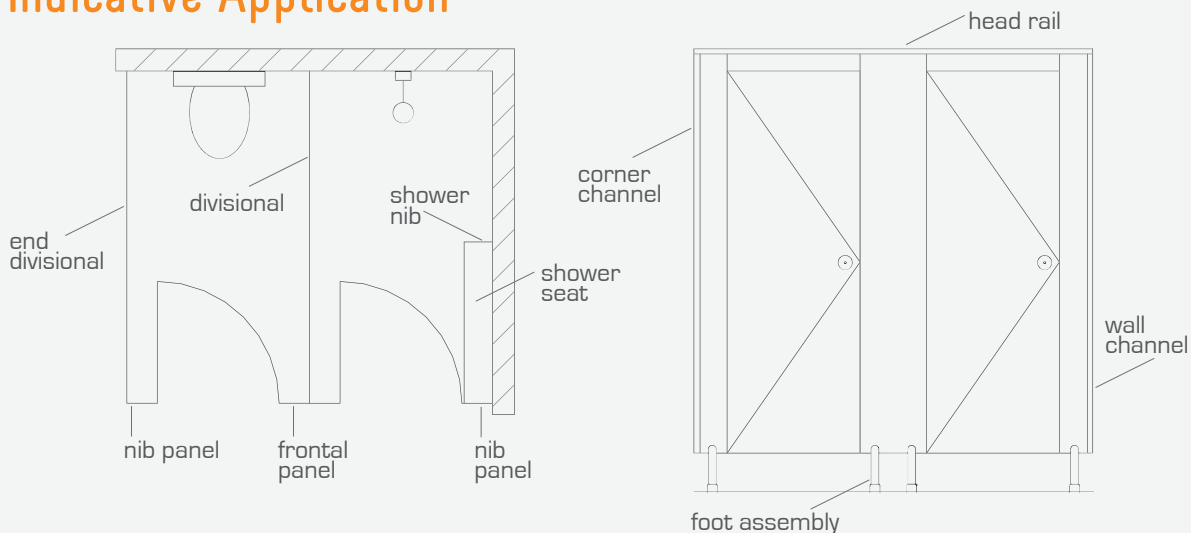
for toilets

www.normanmanufacturing.com.au



Available in a Range of Colours

Indicative Application

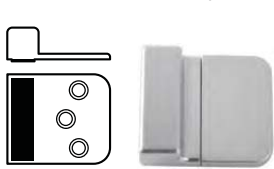


Standard Components

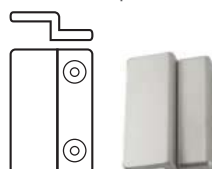
Concealed Fix Gravity Hinge



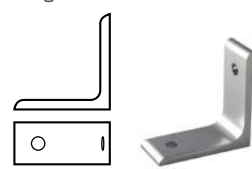
Concealed Fix Bumper



Lift Off Staple



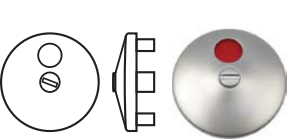
Angle Bracket



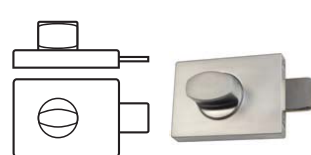
Concealed Fix Coat Hook



Indicator



Turnbolt



Foot Assembly



phone 07 3205 4550 fax 07 3205 4278

email info@normanmanufacturing.com.au

www.normanmanufacturing.com.au